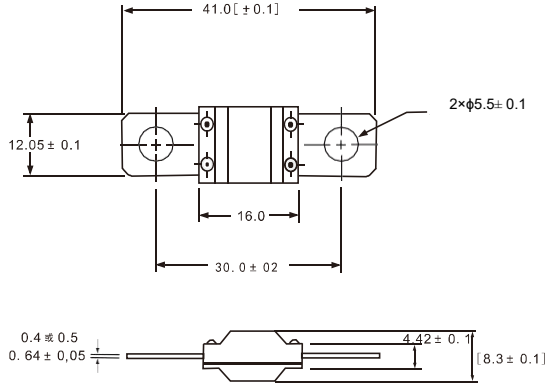


小号圆孔方头叉栓保险丝

ANS bolt on fuses (Round hole type)

尺寸 Dimensions (mm)



尺寸单位: mm, 误差 ± 0.2mm

规格

型号: 小号圆孔方头叉栓保险丝
 额定最大电流: 200A
 额定电压: 32V/48V/72V
 材质: 尼龙+锌合金
 颜色: 黑色+透明色

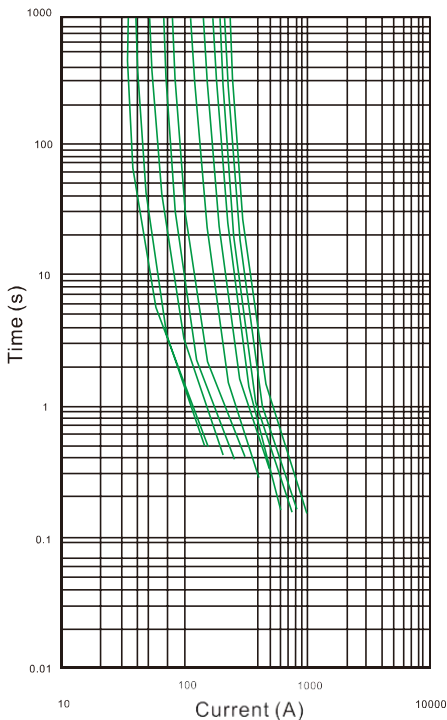
Specification

Part name :ANS bolt on fuses (Round hole type)
 Rated current :200A
 Rated voltage :32V/48V/72V
 Material:Nylon+Zn alloy
 Color :black +transparent

Model	Voltage	Rated Current	Part Name	Resistance
ADANS-A23	32V/48V/72V	23A	ANS-A-23	2.25mΩ
ADANS-A40	32V/48V/72V	40A	ANS-A-40	1.55mΩ
ADANS-A50	32V/48V/72V	50A	ANS-A-50	1.25mΩ
ADANS-A60	32V/48V/72V	60A	ANS-A-60	1.1mΩ
ADANS-A70	32V/48V/72V	70A	ANS-A-70	0.95mΩ
ADANS-A80	32V/48V/72V	80A	ANS-A-80	0.9mΩ
ADANS-A100	32V/48V/72V	100A	ANS-A-100	0.7mΩ
ADANS-A125	32V/48V/72V	125A	ANS-A-125	0.5mΩ
ADANS-A150	32V/48V/72V	150A	ANS-A-150	0.4mΩ
ADANS-A175	32V/48V/72V	175A	ANS-A-175	0.3mΩ
ADANS-A200	32V/48V/72V	200A	ANS-A-200	0.2mΩ

注: 冷电阻为参考值

时间-电流特性曲线
 Time-Current Characteristic Curves



Time-Current Characteristics: 电流时间特征

% of Rating 额定电流	Opening Time Min/Max (S) 熔断时间	
	23-125A	150-200A
75	- / -	360, 000s/-
100	360,000 s/-	- / -
110	14,400s/-	- / -
150	90s/3,600s	- / -
200	3s/100s	1s/15s
300	0.3s/3s	- / -
350	- / -	0.3s/5s
500	0.1s/1s	0.1s/1s