

**SMD QUARTZ CRYSTAL RESONATOR**

**石英晶体谐振器**



**Dip Crystal 11.4x4.8 mm**

- Package Height 3.5 mm max
- Wave Soldering Temperature: 260 °C max
- highly stable and reliable crystal unit with a metallic package
- Taped Version Available



RoHS compliant

**PARAMETERS**

**技术参数**

PARAMETERS	参数	SPECIFICATION 规格
Frequency Range	频率范围	3.2 ~ 100MHz
Operation Mode	振动模式	( 3.2 ~ 40MHz ) Fundamental ( 270 ~ 100MHz ) 3rd /5rdOvertone
Loading Capacitance	负载电容	8pF Std. 8 to 33pF , Series available
Drive Level	激励电平	10 μ W ( 300 μ W Max )
Frequency Tolerance	频率偏差	± 10ppm ~ ±30ppm ( at 25 )
Equivalent Resistance	谐振电阻	See Below
Frequency Stability	频率稳定性	±2.5ppm ~ ±50ppm
Operating Temp. Range:	工作温度范围	0 ~ +50 to -40 ~ +85
Storage Temp. Range:	储存温度范围	-40 ~ +85

All specification subject change without notice. 规格变化，恕不另行通知。

**FREQUENCY STABILITY VS. TEMPERATURE**

**频率温度特性**

**ESR ( SERIES RESISTANCE RS )**

Operation Temperature Range	Frequency Stability					
	±25ppm	±5ppm	±10ppm	±20ppm	±30ppm	±50ppm
0 ~+50						
-10 ~+60						
-20 ~+70						
-40 ~+85						

standard available

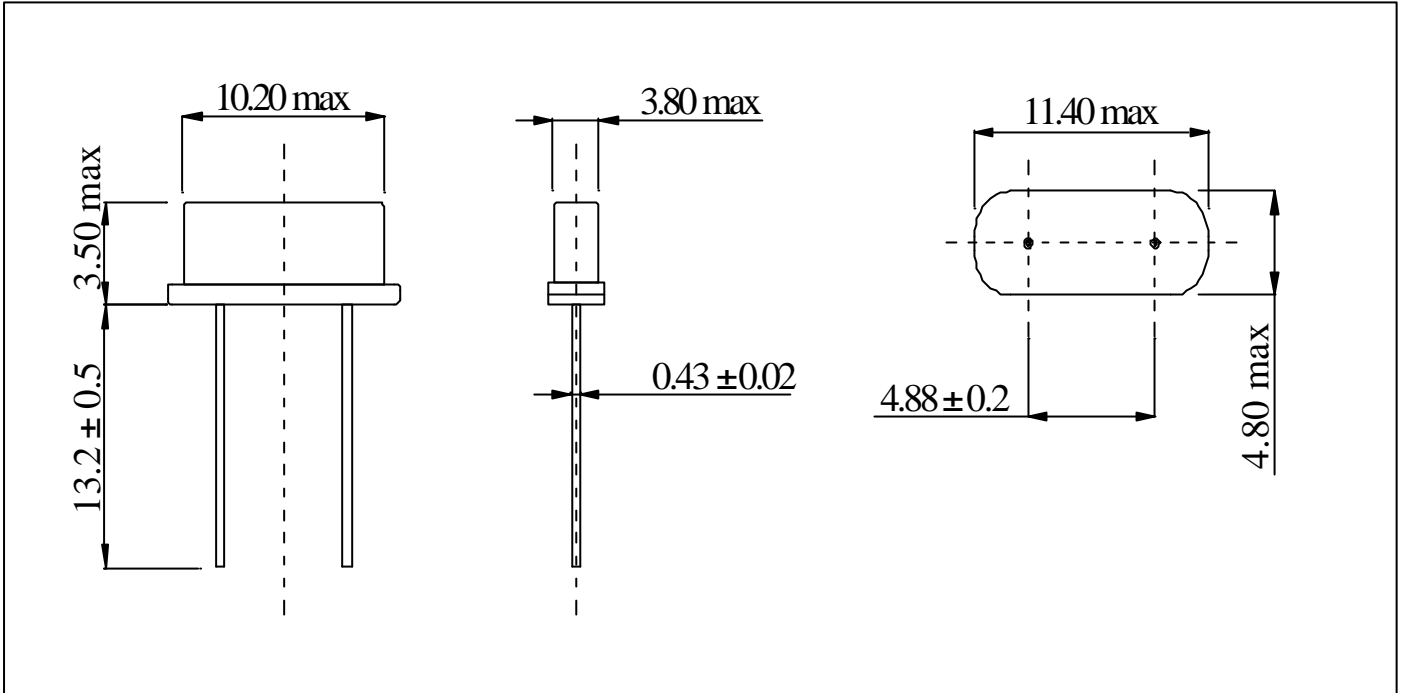
Frequency	Vib. Mode	ESR
3.2-3.999MHz	AT CUT/FUND.	1500(MAX)
4.000-4.499MHz	AT CUT/FUND.	1200(MAX)
4.500-5.999MHz	AT CUT/FUND.	1000(MAX)
6.000-7.999MHz	AT CUT/FUND.	800(MAX)
8.000-9.999MHz	AT CUT/FUND.	600(MAX)
10.000-11.999MHz	AT CUT/FUND.	500(MAX)
12.000-13.999MHz	AT CUT/FUND.	400(MAX)
14.000-40.000MHz	AT CUT/FUND.	300(MAX)
27.000-100MHz	AT 3rd /OT	1000(MAX)

**PART NUMBER GUIDE 部件号示例**

e.g. FTX26.000M9SM4S (\*SM4S=4.0 ×2.5 SMD S-SEAM TYPE)

	Quartz Crystal Resonator 石英晶体谐振器	Frequency 频率	Load Capacitance 负载电容	Package 盒型
FT	X	16.000MHz	9	SM4S

**DIMENSIONS & LAND PATTERN LAYOUT (Unit: mm) 外形尺寸**



**WAVESOLDERING PROFILE 波峰焊特性**

