

JZC-33F

SUBMINIATURE INTERMEDIATE POWER RELAY



File No.:E133481



File No.:125661



File No.:CQC02001001949



Features

- * 10A switching capability
- * SPST-NO and SPDT configurations
- * Subminiature, standard PC layout
- * Sealed IP67 & Flux proof types available
- * Creepage distance:8mm (both for 1 CO and NO)
- * Clearance distance:NO type 4.5mm 1CO type 4mm

CONTACT DATA

Contact Arrangement	1A, 1C		
Initial Contact Resistance Max.	100mΩ (at 1A / 24VDC)		
Contact Material	AgCdO,AgNi		
Contact Rating (Res. Load)	1A	1C	
		N/O	N/C
	5A 250VAC	5A 250VAC	3A 250VAC
	5A 30VDC	5A 30VDC	3A 30VDC
10A 125VAC	10A 125VAC		
Max. switching current	10A	3A	
Max. switching power	1250VA/150W	750VA/90W	
Max. switching voltage	277VAC/30VDC		
Mechanical life	1 x 10 ⁷ OPS		
Electrical life	1 x 10 ⁵ OPS		

CHARACTERISTICS

Initial Insulation Resistance	1000MΩ 500VDC	
Dielectric Strength	Between coil and Contacts	4000VAC 1min.
	Between open contacts	1000VAC 1min.
Operate time (at nomi. Volt.)	Max. 8ms	
Release time (at nomi. Volt.)	Max. 5ms	
Ambient temperature	-40°C to +70°C	
Humidity	35 to 95%	
Shock Resistance	Functional	100 m/s ²
	Destructive	1000 m/s ²
Vibration Resistance	1.6mm, 10 to 55Hz	
Termination	PCB	
Unit weight	Approx. 7g	
Construction	Sealed IP67 & Flux proof	

COIL

Coil power	Standard:0.45W, Sensitive:0.2W
------------	--------------------------------

COIL DATA

Standard Type

Nominal Voltage VDC	Pick-up Voltage VDC	Drop-out Voltage VDC	Max. allowable Voltage VDC(at 20°C)	Coil Resistance Ω
3	2.25	0.15	3.9	20 ± 10%
5	3.75	0.25	6.5	55 ± 10%
6	4.50	0.30	7.8	80 ± 10%
9	6.75	0.45	11.7	180 ± 10%
12	9.00	0.60	15.6	320 ± 10%
18	13.5	0.90	23.4	720 ± 10%
24	18.0	1.20	31.2	1280 ± 10%
48	36.0	2.40	62.4	5120 ± 10%

Sensitive Type (SPST-NO Only)

Nominal Voltage VDC	Pick-up Voltage VDC	Drop-out Voltage VDC	Max. allowable Voltage VDC(at 20°C)	Coil Resistance Ω
3	2.25	0.15	4.5	45 ± 10%
5	3.75	0.25	7.5	125 ± 10%
6	4.50	0.30	9.0	180 ± 10%
9	6.75	0.45	13.5	400 ± 10%
12	9.00	0.60	18.0	720 ± 10%
18	13.5	0.90	27.0	1600 ± 10%
24	18.0	1.20	36.0	2800 ± 10%

SAFETY APPROVAL RATINGS

UL	1 Form A :	5A 250VAC/30VDC 8A 250VAC 10A 277VAC, cos phi=0.4 to 0.5
	1 Form C :	3A 250VAC 3A 30VDC
VDE	1 Form A :	5A 250VAC @70°C
	1 Form C :	3A 250VAC @70°C



HONGFA RELAY

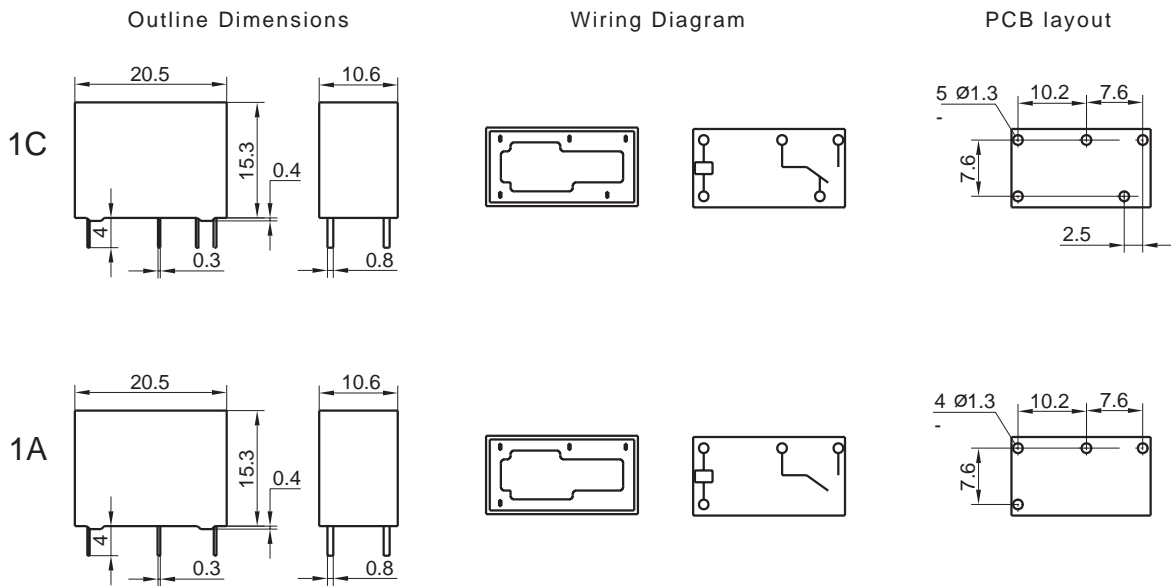
ISO9001 *ISO/TS16949 *ISO14001 CERTIFIED

VERSION: EN02-20040601

ORDERING INFORMATION

Type	JZC-33F / 012 H S L 3 G F XXX
Coil voltage	3, 5, 6, 9, 12, 18, 24, 48VDC
Contact arrangement	H:1 Form A Z:1 Form C
Structure	S: Sealed IP67 Nil: Flux proof
Coil Power	L: Sensitive (SPST-NO Only) Nil: Standard
Contact Material	Nil: AgCdO 3: AgNi
Contact plating	Nil: No plating G: Glod plating
Insulation System	Nil: Class B (130°C) F: Class F (155°C)
Special code	May be followed by additional letters of numbers (does not affect construction)

OUTLINE DIMENSIONS, WIRING DIAGRAM AND PC BOARD LAYOUT



CHARACTERISTICS CURVE

