



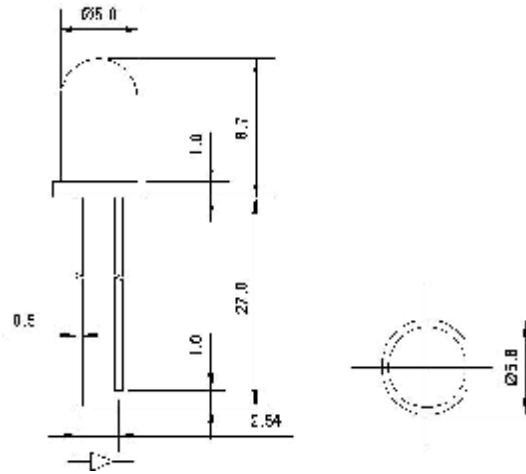
# 5.0mm YELLOW LED LAMPS

K112

## FEATURES

- Ø Popular diameter 5mm package.
- Ø Tinted diffused or water clear.
- Ø Viewing angles: 25° .
- Ø Low current requirements.
- Ø Reliable and rugged.
- Ø Indoor/outdoor applications.

## PACKAGE DIMENSIONS



Tolerance:  $\pm 0.2$

Unit mm

## ABSOLUTE MAXIMUM RATINGS AT Ta=25°C .

PARAMETER	YELLOW	UNIT
Power Dissipation	100	mW
Peak forward current	150	mA
Continuous forward current	20	mA
Derating liner from 50°C	0.4	mA/°C
Reverse voltage	5	V
Operating temperature range	-40°C to +80°C	
Storage temperature range	-40°C to +80°C	
Lead soldering temperature	260°C for 5 Seconds	

## ELECTRICAL OPTICAL CHARACTERISTICS AT Ta=25°C

PART NO.	EMITTED COLOR	WAVE LENGTH (nm)	LEN'S COLOR	FORWARD VOLTAGE I <sub>f</sub> =20mA(V)			REVERSE CURRENT V <sub>r</sub> =5v(μA)	LUMINOUS INTENSITY I <sub>f</sub> =20mA(mcd)		VIEWING ANGLE 2θ 1/2(deg)
				MIN	TYP	MAX	MAX	MIN	TYP	
AL-513SYC	Yellow	585	Water Clear	1.8	2.0	2.2	10	1500	3000	25
AL-513UYC	Yellow	590		1.2	1.8	2.4	10	200	3000	25
AL-513UYD	Yellow	587	Yellow Diffused	1.8	2.1	2.5	10	80	150	25