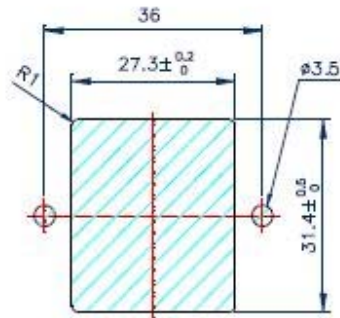
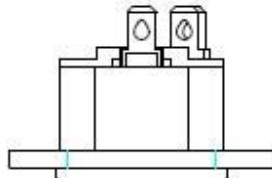


# POWER INLET 5x20MM FUSE HOLDER



STANDARD: IEC 320-1 C14  
STANDARD: IEC 320-1 C14  
RATING : 10A 250V AC  
APPROVALS: UL/CSA/VDE/DEMKO/  
NEMKO/SEMKO/FIMKO



PANEL CUTOUT DIMENSION TABLE

