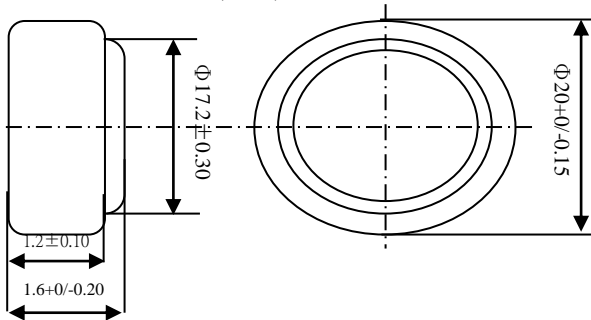


## R540E - Technical Data Sheet

### CR2016

- 1 Chemical System: Lithium/Manganese Dioxide(Li/MnO<sub>2</sub>)
- 2 Nominal Voltage: 3.0V
- 3 Nominal capacity: 75mAh(rated at 30kΩ continuous discharge to the end-point voltage 2.0V at 20±3<sup>o</sup>C)
- 4 Average weight: 1.8g
- 5 Dimensions(mm)



### 6 Performance:

#### 6.1 Electrical parameters

Item	Storage	Performance	Test condition
OCV	fresh	3.10V~3.30V	DC Voltmeter: accuracy $\geq$ $\pm 0.005V$ input impedance $\geq$ $1M\Omega$
	after 12 months	3.10V~3.30V	
CCV	fresh	$\geq 3.00V$	DC voltmeter: same as above load: 15kΩ for 0.8 sec.
	after 12 months	$\geq 3.00V$	

#### 6.2 Service life

Item	Storage	Performance	Test condition
Quick test	Fresh	$\geq 75$ hrs	load: 3kΩ, end-point voltage: 2.0V
	after 12 months	$\geq 68$ hrs	
Chinese standard	Fresh	$\geq 750$ hrs	load: 30kΩ, end-point voltage: 2.0V
	after 12 months	$\geq 675$ hrs	

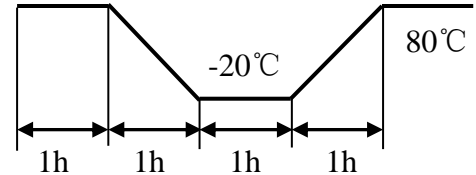
#### 6.3 Leakage proof performance :

Please refer to the following curve.

Temperature range: -20<sup>o</sup>C~80<sup>o</sup>C

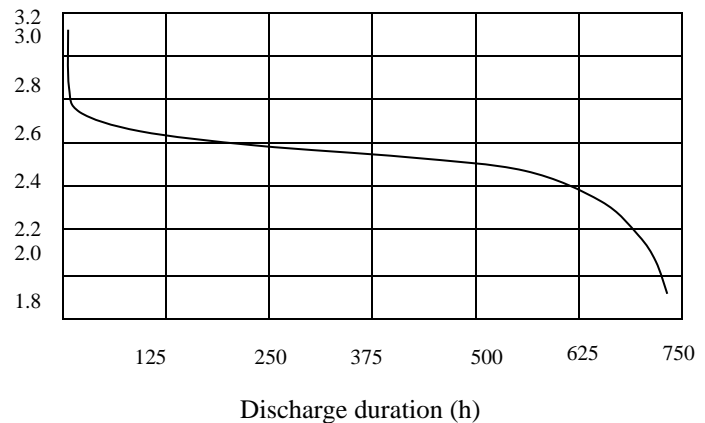
Duration: 20 days.

Test result: no visible leakage



#### 7 Typical discharge curve

load: 30kΩ end-point voltage: 2.0V



#### 8 Marking:

- 8.1 model number: CR2016
- 8.2 brand: "Neutral" , "TINKO"
- 8.3 polarity: "+" marking on positive terminal (no "-" marking)
- 8.4 other specified marking:

#### 9 Precautions:

- 9.1 Never charge the battery as it is not designed to be rechargeable, may cause leakage or explosion.
- 9.2 Insert battery with its positive and negative terminals properly aligned with the corresponding marks on the equipment.
- 9.3 Never short circuit, heat, incinerate or dismantle the battery.