

LH093

Red AC/DC12V 22mm AD16-22SM LED Signal  
Indicator Built-in Buzzer



Information parameters

Product Name: Flashing Buzzer

Product Model: AD16-22SM

Product colors: red

Mounting hole diameter: 22mm

Sound pressure level (dB): 60-70 dB

Operating mode: Flashing sound

Continuous working life:  $\geq 30000\text{h}$

Power frequency withstand voltage: 2.5kV for 1 minute

Luminous intensity:  $\geq 100\text{ cd/m}^2$

Recognition accuracy:  $\geq 98\%$

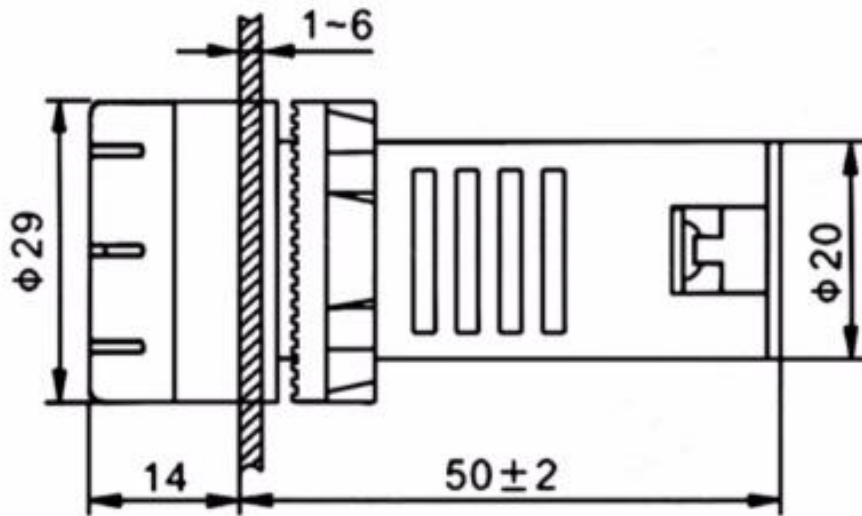
Insulation resistance:  $\geq 2\text{m } \Omega$

Permissible voltage fluctuation:  $\pm 20\%$

Ambient temperature:  $-25^{\circ}\text{ C}$  to  $+55^{\circ}\text{ C}$

Selectable DC voltage: 12V

Optional AC voltage: 12V



## DISASSEMBLY ANALYSIS COMPREHENSIVE UNDERSTANDING

COMPOSED OF MULTIPLE PARTS, REAL MATERIALS,  
BRINGING MORE STABLE PERFORMANCE SELECTING HIGH-QUALITY  
MATERIALS, LAYER-BY-LAYER INSPECTION



## Important tips

1. Each vocalization should be limited to 3-5 minutes.
2. No small warning light should sound continuously at once.
3. The longer the continuous buzzer operation, the more likely it is to break.
4. Supports repeated use within a short period of time.



### Wiring Guide PRODUCT DISPLAY

SHSNAO



1. Use a screwdriver to unscrew the screws on the terminal block.



2. Connect a wire into the X1 terminal and tighten the screw.



3. Connect the other wire to the X2 terminal, tighten the screw, and the wiring is complete.