

A

A

B

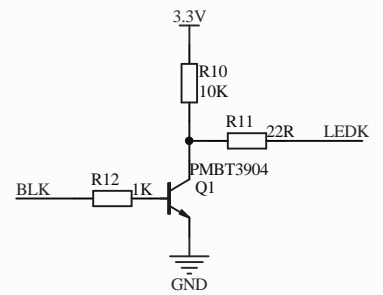
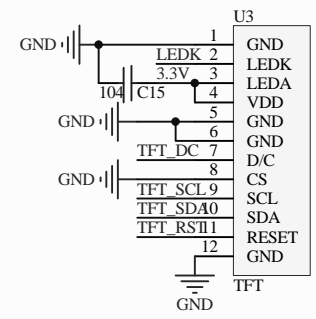
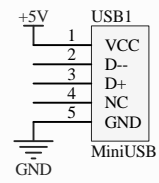
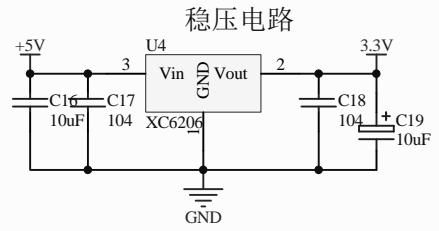
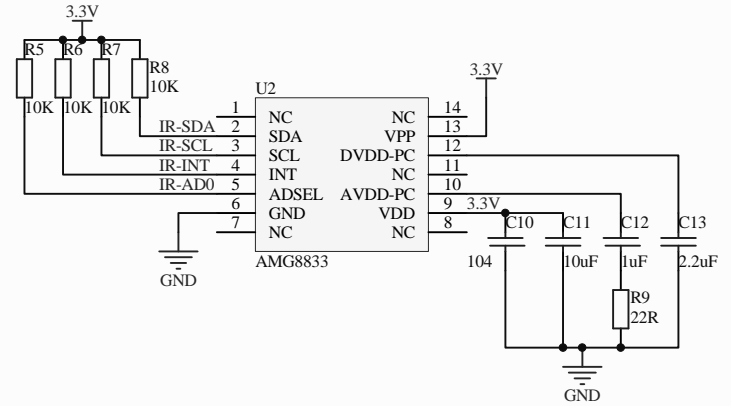
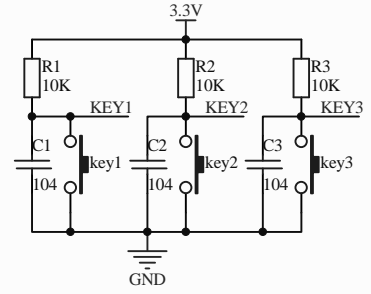
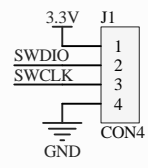
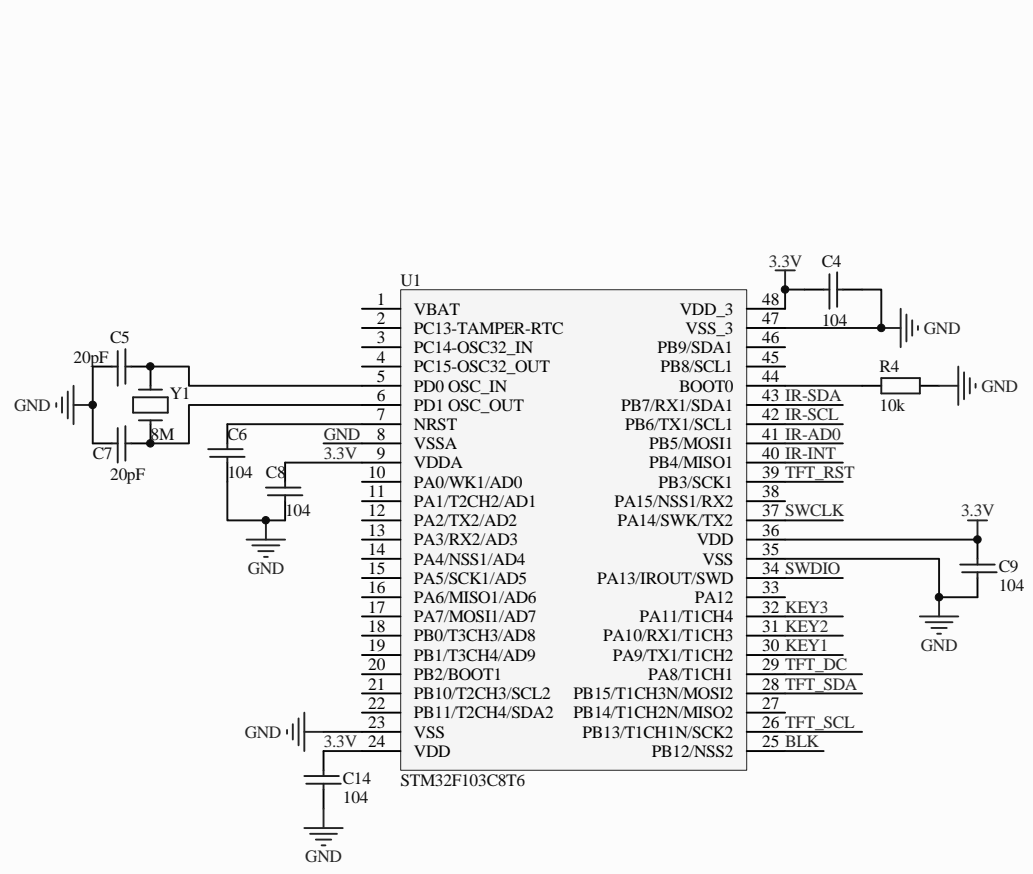
B

C

C

D

D



Title		
Size	Number	Revision
A4		
Date:	2018/8/23	Sheet of
File:	G:\项目\...\IR_Cam_V1.1.SchDoc	Drawn By: