

## MH007

Product: Limit switch

Model: ME-8108

Type: Roller type switch, Auto reset

Power supply: AC250V 5A,DC115V 0.4A

Mounting hole spacing: 56mm x 21mm

Dimensions: 98.4x 29 x 27 mm

Color: black and blue

Material: plastic, metal and rubber

Contact type: Silver Point NO+NC

Weight: 88g

**Noted: The size is for reference only**

产品名称：限位开关

型号：ME-8108

类型：滚轮，自动复位

电源：AC250V 5A, DC115V 0.4A

安装孔间距：56mm x 21mm

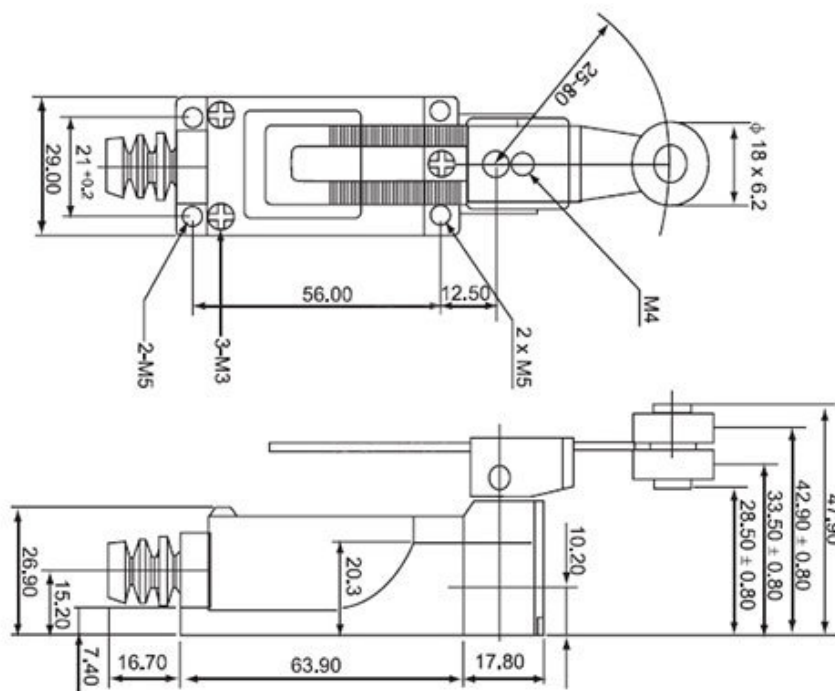
尺寸：98.4x 29 x 27 mm

颜色：黑色和蓝色

材料：塑料、金属、橡胶

触点类型：银点 NO+NC

重量：88g



注：尺寸仅供参考，一切以实物为准